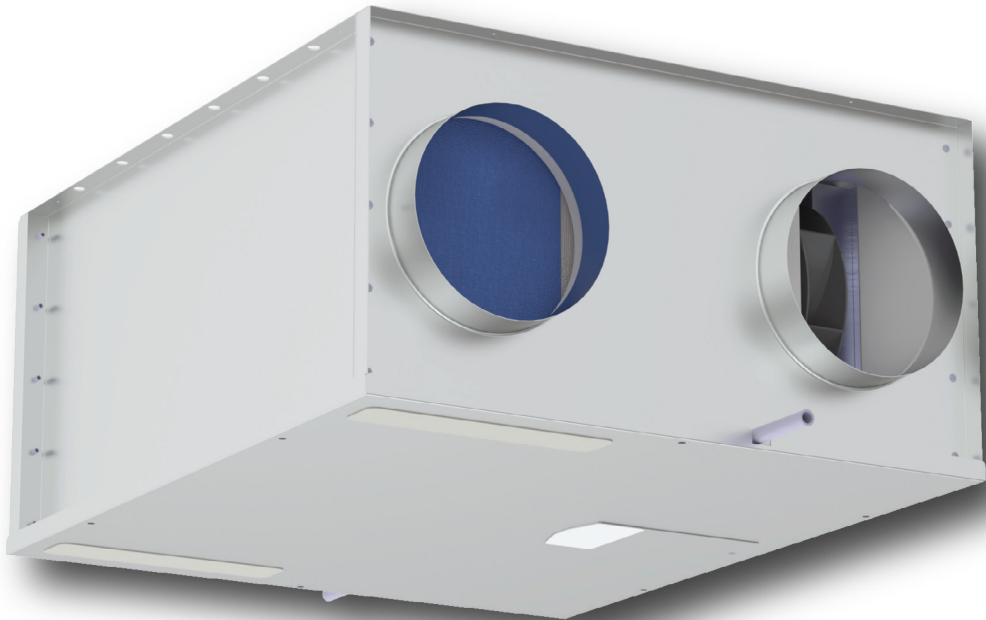


EVO350DC



**Whole House Heat Recovery Unit
with Low Energy DC Motor
and LCD control
for domestic and commercial use**

**Installation, Operating and Maintenance
Instructions**





"EVO350" - WHOLE HOUSE HEAT RECOVERY UNIT INSTALLATION AND OPERATING INSTRUCTIONS

Safety Notice

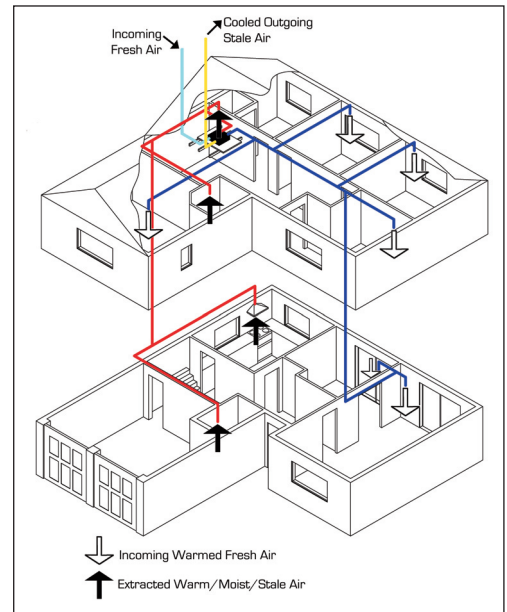
It is important to read this Instruction Manual carefully before installing or using the product. Following these instructions will ensure that your ventilation system is installed, commissioned and used properly and continues to operate effectively. Vectaire will not be held responsible and will not accept liability for any damage caused to persons or property through failure to follow the guidance provided in this manual. It should always be available with the product for easy reference.

General Information

The Vectaire EVO350 heat recovery system provides whole house mechanical ventilation to living areas, bedrooms, kitchen and bathrooms. It extracts stale, contaminated air from kitchens, utility rooms and bathrooms, and uses the heat recovered from this air to warm fresh, incoming air to create a flow of fresh air throughout the dwelling. The extract and intake air streams are separated to avoid contamination.

The system will operate continuously to create a stable, comfortable, healthy environment avoiding the use of excessive energy and saving heat already generated.

The heat recovery unit will generally be installed in the loft of a house or the void above the ceiling in an apartment (but may be installed in a cupboard) and will be connected by hidden ductwork to vents sited in the ceilings of the rooms which require ventilation. Each unit is commissioned individually allowing its performance to be tailored to suit the performance required. There will be a facility to boost the extraction rate when desired (e.g when cooking or bathing or pollutant levels rise). This may be done automatically or manually.



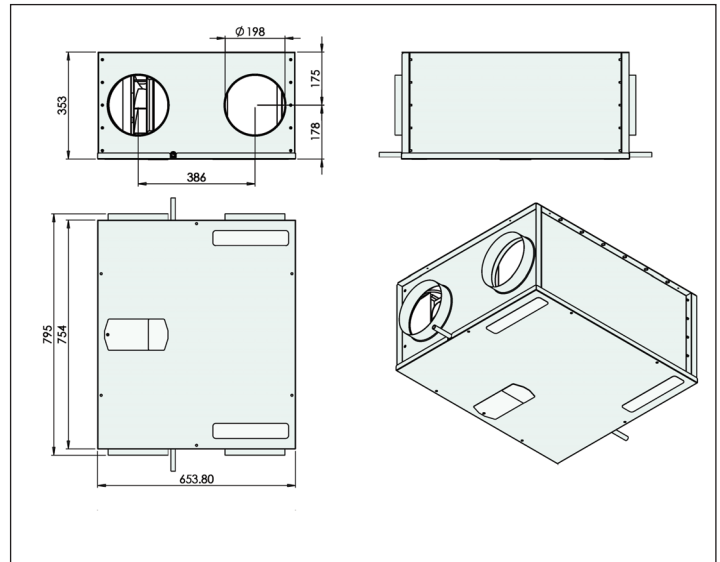
The system is designed to run continuously and should NOT be switched off except for maintenance or filter replacement. It is important to follow the advice in this user manual and correctly install and maintain the system to ensure a healthy and comfortable indoor environment.

Features

- **SAP PCDB Listed** whole house heat recovery units giving continuous ventilation in the kitchen and up to seven additional wet rooms
- low noise levels
- variable choice low (trickle) speed and boost options for optimum setting at installation
- boost speed can be triggered by a switched live connection from a variety of external devices including:
 - PIRFF (passive infra red)*
 - DRH240 (dynamic remote humidistat)*
 - THM (thermostat)*
 - a light switch (if more than one light switch is used, **each one must be a double pole switch**)
 - a remote switch/pull cord
- Economical EC motor with electronic control plus:
 - Standard control features**
 - > **Independent motor speed control**
 - Each motor can be adjusted independently
 - Trickle, boost and purge speeds can be set at installation
 - > **Adjustable over-run timer** - from 0-90 Minutes, factory set to 0 minutes
 - > **Adjustable delay-on timer** - from 0-5 Minutes, factory set to 2 minutes
 - > **Integral frost stat** - proportionally reduces intake motor speed as temperature falls
 - > **BMS connections** - for remote motor shut off
- Installation **MUST** be carried out by suitably qualified personnel and **MUST** be in accordance with current IEE regulations

IT IS IMPORTANT THESE THESE INSTRUCTIONS ARE READ FULLY BEFORE INSTALLATION

- This product should not be used for any purpose other than that for which it was designed and as shown in this leaflet.
- All packaging should be removed and the unit checked for damage in transit. If there is any damage, please contact your supplier.
- The EVO350 will generally be fitted into a loft or ceiling void. **In order to comply with Construction (Design & Management) Regulations, sufficient access for safe maintenance (recommended on an annual basis), or removal following installation, MUST be provided for this product. See dimensions.**
- Fire Dampers **must be fitted** to duct work at appropriate locations in accordance with Building Regulations
- **Flue gases from fuel-burning equipment must not be drawn into a living area. If any room from which air is extracted contains a fuel burning appliance, such as a central heating boiler, then its flue must be of the sealed or balanced flue type, or allowance must be made for an adequate supply of air into the room.**
- The unit must NOT be installed:
 - where there is excessive oil or grease
 - where there are hazardous gases, liquids or vapours that are flammable or corrosive
 - in ambient temperatures above 50°C or lower than 5°C (-28°C using pre-heater)
 - in humidity levels above 90% or in a wet environment
- Where possible the unit should NOT be installed directly above a bedroom or living room.
- The condensation drain **must** be fitted and if insulated, use the equivalent of at least 25mm of insulating material with a thermal conductivity of 0.04 W/(mK)
- Care should be taken to ensure that ducting is free from blockages before switching on the unit as this may invalidate your guarantee
- External grilles should be located a minimum of 600mm from any flue outlet in accordance with all Regulations
- The unit must be connected to a 230v-240v, 50Hz single phase electrical supply.
- A triple pole isolation switch with contact separation of at least 3mm must be used to connect the appliance to the fixed wiring when using the Switched Live.
- The product should only be connected to the mains electricity supply or electrical outlet if:
 - your electrical voltage and frequency correspond to those shown on the rating label.
 - the capacity of your electricity supply is sufficiently powerful to operate the product at its maximum power.
- If one of the spigots is not connected to ducting a safety grille **MUST** be fitted to that spigot, so that it is impossible for any moving part to be touched.



Installation of the appliance **MUST** be carried out by a qualified and suitably competent person and should be carried out in clean, dry conditions where dust and humidity are at minimal levels. The unit is not suitable for installation to the exterior of the dwelling.

Duct and Duct Connections [refer to design drawing]

- 4 x 200mm spigots are provided for the connection of ducting. These are clearly marked for correct connection of the supply and exhaust ducts.
- Where ducting is installed in an unheated space, all of the ducts should be insulated. Where ducting is installed in a heated space, only the cold ducts should be insulated. i.e. the supply duct from outside and the extract duct from the unit to the outside.
- The duct layout must be designed to suit the requirements of the ventilation/recovery system and building layout. If the ducting passes through a fire wall/barrier, suitable fire dampers must be installed.
- Where rigid duct is used (preferable), it should be installed using the least number of fittings to minimise air flow resistance. Where possible, final connection to the grilles and unit should be made with a flexible connection.
- Where flexible ducts are used, ensure that:
 - duct runs are kept as short as possible
 - the duct is stretched so that it is smooth and straight
 - where bends are necessary, they have large radii (ie avoid sharp bends)
 - the duct is not crushed if in a restricted area



Condensation

[The unit may sometimes produce condensation which must be drained away. A 15mm dia pipe connection is provided on this unit].

- A 15mm dia pipe must be fitted to the pipe connection. If any part of the condensate drain is in an unheated space it **MUST** be insulated with the equivalent of at least 25mm of insulating material with a thermal conductivity of 0.04 W/(mK).
- The pipe must drain into the normal household drainage system.
- The drain must incorporate a wet or dry trap to prevent air penetration.
- The unit must be tilted towards the side carrying the condensation exit point. It should be installed horizontally with a 3° tilt towards the condensation drain used (equivalent of raising the opposite end by approximately 25mm).
- The drainage pipe must have a continuous fall from the unit to the drainage collection point.

Electrical Connection

WARNING: these appliances must be earthed and all wiring must conform to current IEE Regulations and all applicable standards and Building Regulations.

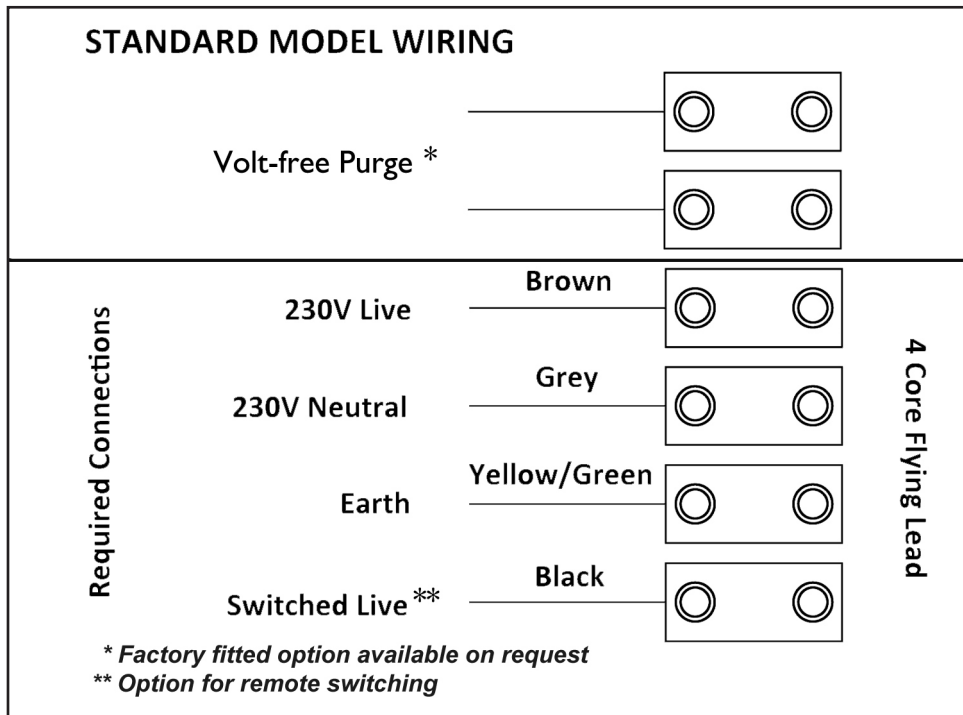
- The unit is suitable for 230v-240v, 50Hz.
- The unit is supplied with:
 - A mains rated 4 core flexible cord (black, brown, grey, green/yellow)
 - An optional factory-fitted 2 cord volt-free flexible cord for purge switching
- A triple pole isolation switch with contact separation of at least 3mm must be used to connect the appliance to the fixed wiring when using the Switched Live.
- Boost controls must not be located within 1 metre of a cooker or where they may be affected by excessive heat or moisture
- Boost controls should be clearly identified and conveniently located.
- The boost switch wiring cable access is via a 12mm cable gland.
- The boost speed can be activated by a switched live connection from a variety of external devices including:
 - PIRFF (passive infra red)*
 - DRH240 (dynamic remote humidistat)*
 - THM (thermostat)*
 - a light switch (if more than one light switch is used, **each one must be a double pole switch**)
 - a remote switch/pull cord
 or via LCD control panel

(*PIRFF, DRH240 and THM may have integral over-run timer which controls the length of time that the fan will continue to operate at its boost speed after the boost has been switched off.)

Commissioning

- When the unit is set up and running, the minimum setting on the speed control switch must relate to the designed volume air flow. The variable air flow from minimum to maximum allows the unit to extract a greater volume to cope with any increase in the build up of condensation or foul air, ie cooking etc.
- Before starting the commissioning procedure, refer to the design drawing for correct air flows.
- Installation of the appliance **MUST** be carried out by a qualified and suitably competent person and should be carried out in clean, dry conditions where dust and humidity are at minimal levels. It should only be installed after other building works have been completed and the building in which it is installed cleaned. Failure to comply with any of the above points will have an impact on the validity of the guarantee.
- Prior to starting the commissioning procedure, ensure that the ductwork connections and airflow directions are as marked on the product.
- Before making any adjustments, ensure that the air valves or grilles are fully open.
- **Please see separate "LCD Control Panel Installer Instructions" for details on commissioning and user operations.**

WARNING : With the control board panel removed, 230 volt live connections are accessible.



Cleaning and Maintenance

WARNING: The unit uses a 230V supply and contains rotating mechanical parts.

- Before carrying out any maintenance or cleaning operations the mains electrical supply **MUST** be disconnected.

The air filters and heat exchanger of the Vectaire EVO350 should be cleaned regularly by a suitably qualified person (the frequency of cleaning will vary depending on the installation environment). Filters should be replaced after a maximum of 3 cleaning cycles.

Filters:

- Remove the filter covers on the main panel.
- Slide out the filters by pulling out the tabs
- Clean the filters carefully using a vacuum cleaner, replace in the slots and refit the filter covers

Heat Exchanger:

- Firstly remove filters as described above
- Remove the screws securing the main panel and carefully lift off. Using the plastic strap fitted, carefully pull out the heat exchanger
- Caution: if this is done during cold weather, the heat exchanger may contain water. It is advisable to have a plastic bowl available to avoid spillage.
- Lightly clean the faces of the heat exchanger with a vacuum cleaner. Replace the heat exchanger carefully, by sliding the assembly back into the cabinet.
- Replace the front cover by securing in place using the screws.
- Finally, replace the filters as above.

Never use water or any other fluids to clean the heat exchanger.

- Return the heat exchanger and filters to their original position.
- Power to the unit can now be restored.

Filter Replacement

Filters should be replaced annually or after a maximum of 3 cleaning cycles.

Replacement filters are available from Vectaire - call us on +44 (0) 1494 522333 or via sales@vectaire.co.uk